

BORDER LINE (Heavy Weight - .50mm)

VISIBLE OUTLINE (Medium Weight - .25mm)

HIDDEN LINE (Medium Weight - .25mm)

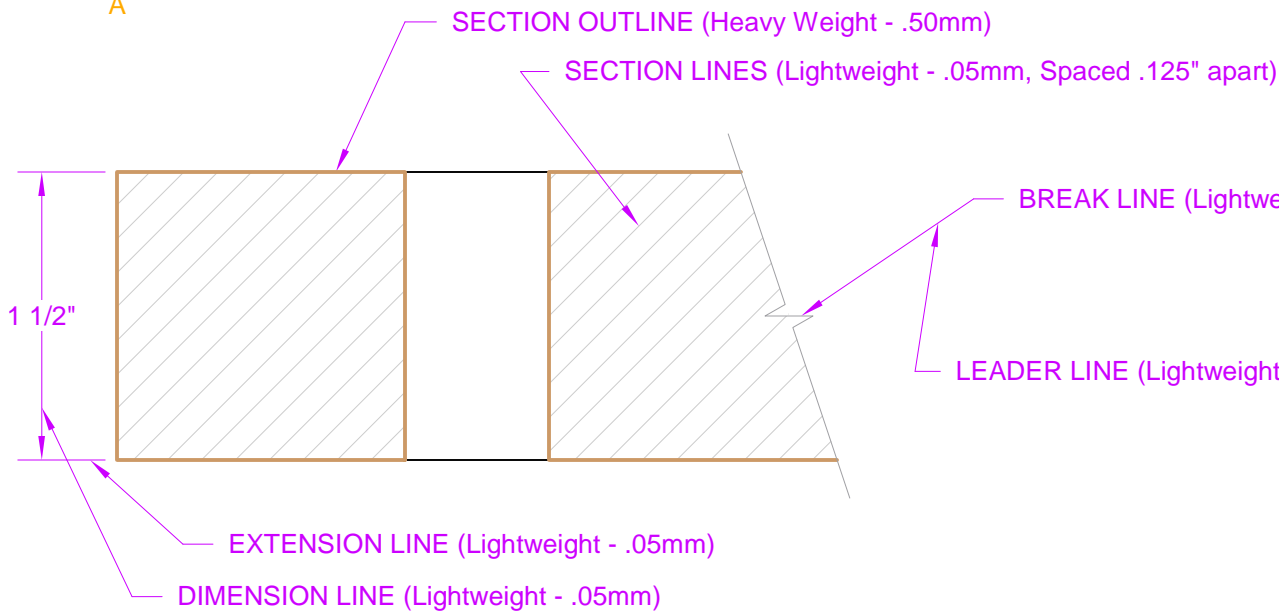
(1/8" DASH, 1/8" SPACE)

CENTER LINE (Lightweight - .05mm) (1 1/2" DASH, 1/8" SPACE, 1/4" DASH, 1/8" SPACE)

PLASTER LINE (Lightweight - .05mm)

(5/8" DASH, 1/4" SPACE)

CUTTING PLANE LINE (Heavy Weight - .50mm) (1" DASH, 1/16" SPACE, 1/8" DASH, 1/16" SPACE, 1/8" DASH, 1/16" SPACE)



SHEET 1 OF 1	PRODUCTION:	TD 131
	DRAWING TITLE:	ALPHABET OF LINES
	SCALE:	FULL
	PRODUCTION SITE:	COLBY COLLEGE
	DESIGNER:	JOHN D. ERVIN
	DRAFT:	JOHN D. ERVIN
	DATE:	JANUARY 2011